



RULES: Practical Shooting Handbook, Latest Edition **COURSE DESIGNER:** Dan Ridgley

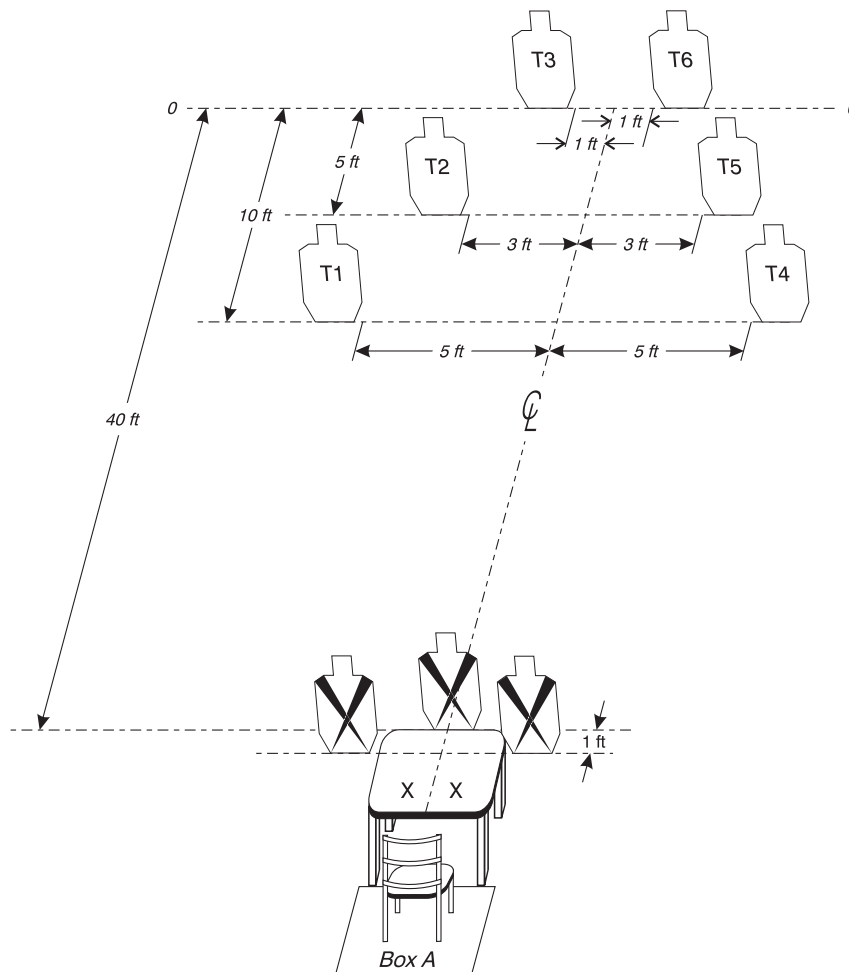
START POSITION: Seated in chair holding cards (there are two standard poker playing cards) one in each hand being held by the thumb and index finger, elbows on X's. Handgun is loaded and holstered as per ready condition in rule 8.1.1 and 8.1.2.

STAGE PROCEDURE

Upon start signal, from Box A, engage only T1-T3 (or only T4-T6) with only two rounds per target. Then make a mandatory reload and from Box A, engage only the three remaining targets with only two rounds per target. Competitor must remain in Box A for all shots fired but does not have to remain seated.

SCORING

SCORING: Virginia Count, 12 rounds, 60 points
TARGETS: 6 IPSC
SCORED HITS: Best 2/paper
START - STOP: Audible - Last Shot
PENALTIES: Per current edition USPSA Practical Shooting Handbook.
 Failure to make the mandatory reload will result in one procedural penalty per shot fired.



SETUP NOTES: Set targets to 5 feet at shoulders. Table is standard folding card table (40 inches by 40 inches). X's for elbow placement are 6 inches right and left of centerline and 6 inches in from edge of table nearest competitor. No-shoots are set so that the bases



of the no-shoots are at table height and sides are even with edge of table. Box A is 4 feet by 4 feet. There are two standard poker-playing cards, one is to be held in each hand by the thumb and index finger.



CM 06-04

Fluffy's Revenge 1

RULES: USPSA Rule Book, Current Edition

COURSE DESIGNER: Beth Wingfield

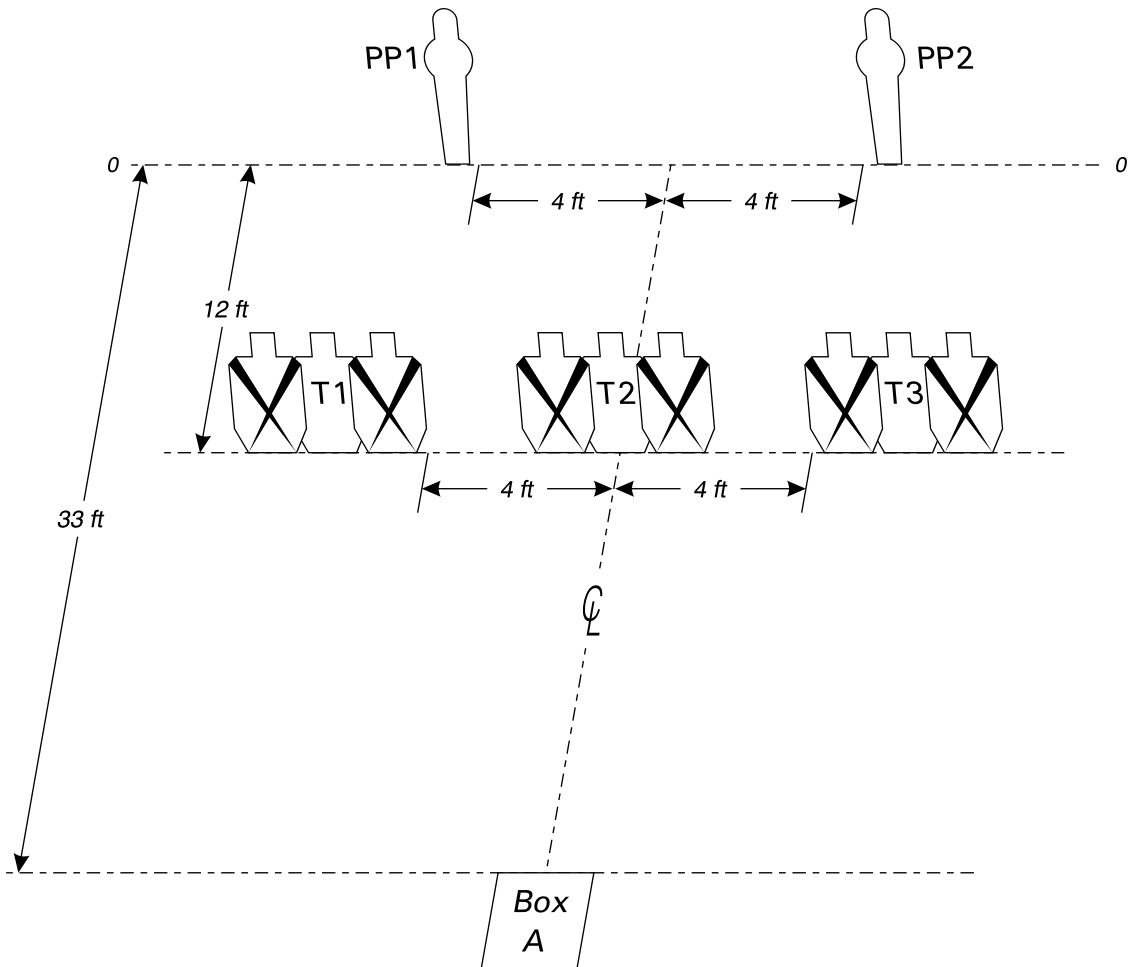
START POSITION: Standing erect in Box A, arms relaxed at sides. Handgun is loaded and holstered as per ready condition in rule 8.1.1 and 8.1.2.

STAGE PROCEDURE

On signal, engage targets from Box A only.

SCORING

SCORING: Comstock, 8 rounds, 40 points
TARGETS: 3 IPSC, 2 Pepper poppers
SCORED HITS: Best 2/paper, KD=1A
START - STOP: Audible - Last shot
PENALTIES: Per current edition of USPSA Rule Book.



SETUP NOTES: Set paper targets to 5 feet high at shoulders. Scoring lines of no-shoots overlay C-zone scoring lines of targets. Center of T2 is center line of course. Box A is 3 feet by 3 feet.





RULES: USPSA Rule Book, Current Edition

COURSE DESIGNER: 1911 Single Stack Design Team

START POSITION: Standing in shooting area behind table, hands naturally at sides, loaded firearm and extra ammo on table.

STAGE PROCEDURE

String 1: On signal, engage targets with only two rounds each.

String 2: On signal, engage each target with only two rounds each.

Both strings will start with gun on the table. All ammo for the stage will be on the table. Gun is not to be propped up in any manner. All rounds must be fired from within the shooting area.

SCORING

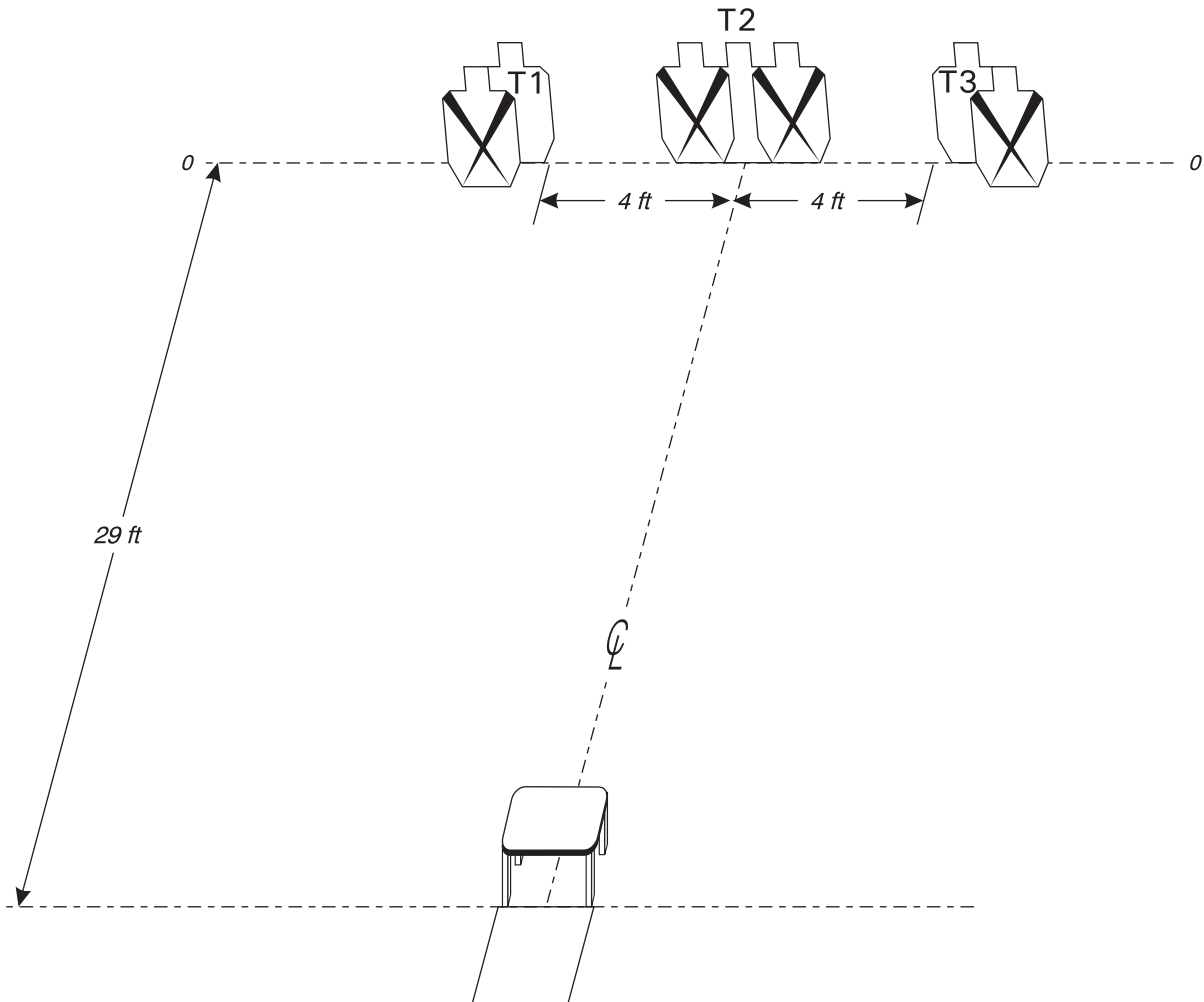
SCORING: Virginia Count, 12 rounds, 60 points

TARGETS: 3 IPSC

SCORED HITS: Best 4/paper

START - STOP: Audible - Last shot

PENALTIES: Per current edition of USPSA Rule Book.



SETUP NOTES: Shoot targets are 58 inches high at shoulders. Table top is 30 inches high. No-shoots on T1 and T3 are set so top of no-shoot is even with top of shoulder and the no-shoot's scoring line is vertically in the middle of the A-zone scoring line. No-shoots on T2



are set so the scoring lines overlay the A-zone scoring lines. T2 and both no-shoots are set to the same height.



CM 99-41

Works For Me

RULES: Practical Shooting Handbook, Latest Edition **COURSE DESIGNER:** Joe DeSimone

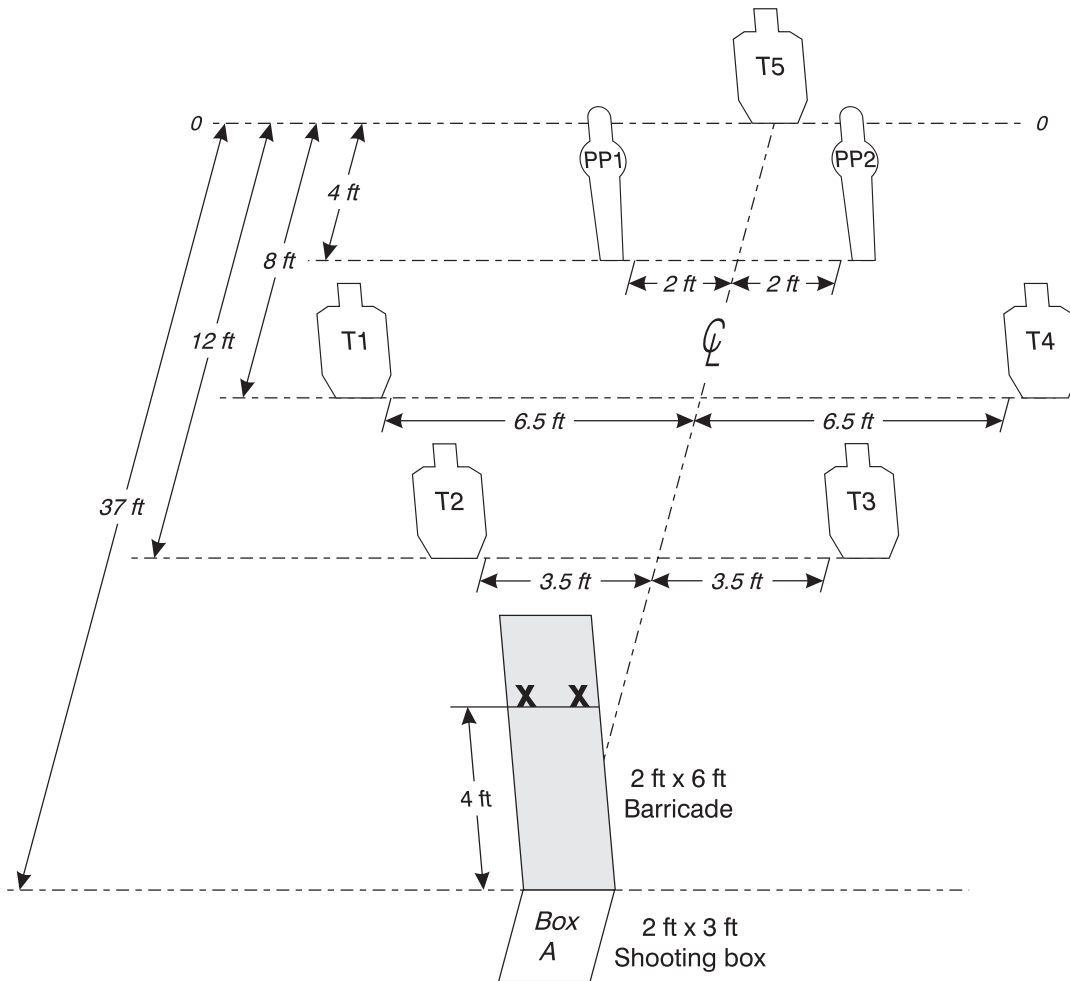
START POSITION: Standing in Box A with palms flat on barricade covering X marks. Handgun is loaded and holstered as per ready condition in rule 8.1.1 and 8.1.2.

STAGE PROCEDURE

Upon start signal, from Box A, engage the appropriate targets from either side of the barricade. Then make a mandatory reload and from Box A engage the appropriate targets from the other side of the barricade. T1 and T2 must be engaged from only the left side of the barricade. T3 and T4 must be engaged from only the right side of the barricade. T5, PP1 and PP2 may be engaged from either side of the barricade. No further reload is required to engage targets after completing the original stage procedure.

SCORING

SCORING: Comstock, 12 rounds, 60 points
TARGETS: 5 IPSC, 2 Pepper poppers
SCORED HITS: Best 2/paper, KD = 1 A
START - STOP: Audible - Last shot
PENALTIES: Per current edition of USPSA Practical Shooting Handbook.
 Failure to perform mandatory reload will result in one procedural penalty for each shot fired.



SETUP NOTES: Set paper targets to 5 feet high at shoulders. X marks are placed 6 inches inside each edge of barricade.





CM 09-08

Crackerjack

RULES: USPSA Rule Book, Current Edition

COURSE DESIGNER: Russell Cluver

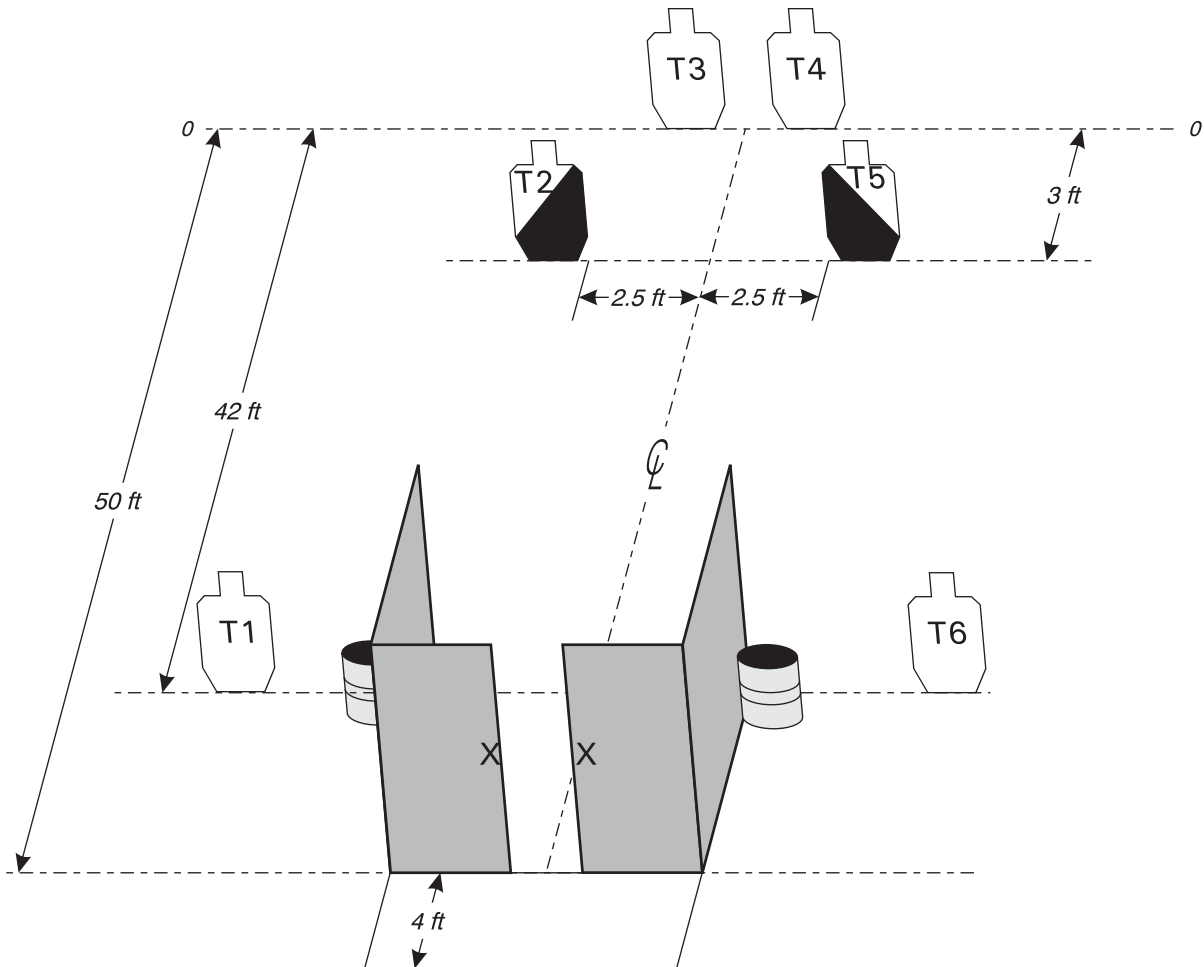
START POSITION: Standing centered in the shooting area, hands on the marks. Handgun is loaded and holstered as per ready condition in rule 8.1.1 and 8.1.2.

STAGE PROCEDURE

On signal, draw and engage targets while remaining in the shooting area.

SCORING

SCORING: Comstock, 12 rounds, 60 points
TARGETS: 6 IPSC
SCORED HITS: Best 2/paper
START - STOP: Audible - Last shot
PENALTIES: Per current edition of USPSA Rule Book.



SETUP NOTES: T2, T3, T4, and T5 are 5 feet high at shoulders. T1 and T6 are 4 feet high at shoulders. T3 and T4 are 12 inches apart edge to edge (6 inches left and right of centerline). T1 and T6 are 66 inches left and right of the barricade walls. The side walls of the barricade are 8 feet by



8 feet. The front walls are 4 feet by 8 feet with a 19-inch wide gap between them. Place the barrels so they are against the walls with the back of the barrels even with the back edge of the walls. X marks for hand positions are 4 feet up on the wall at the edge of the port. Barrels are plastic blue water barrels.